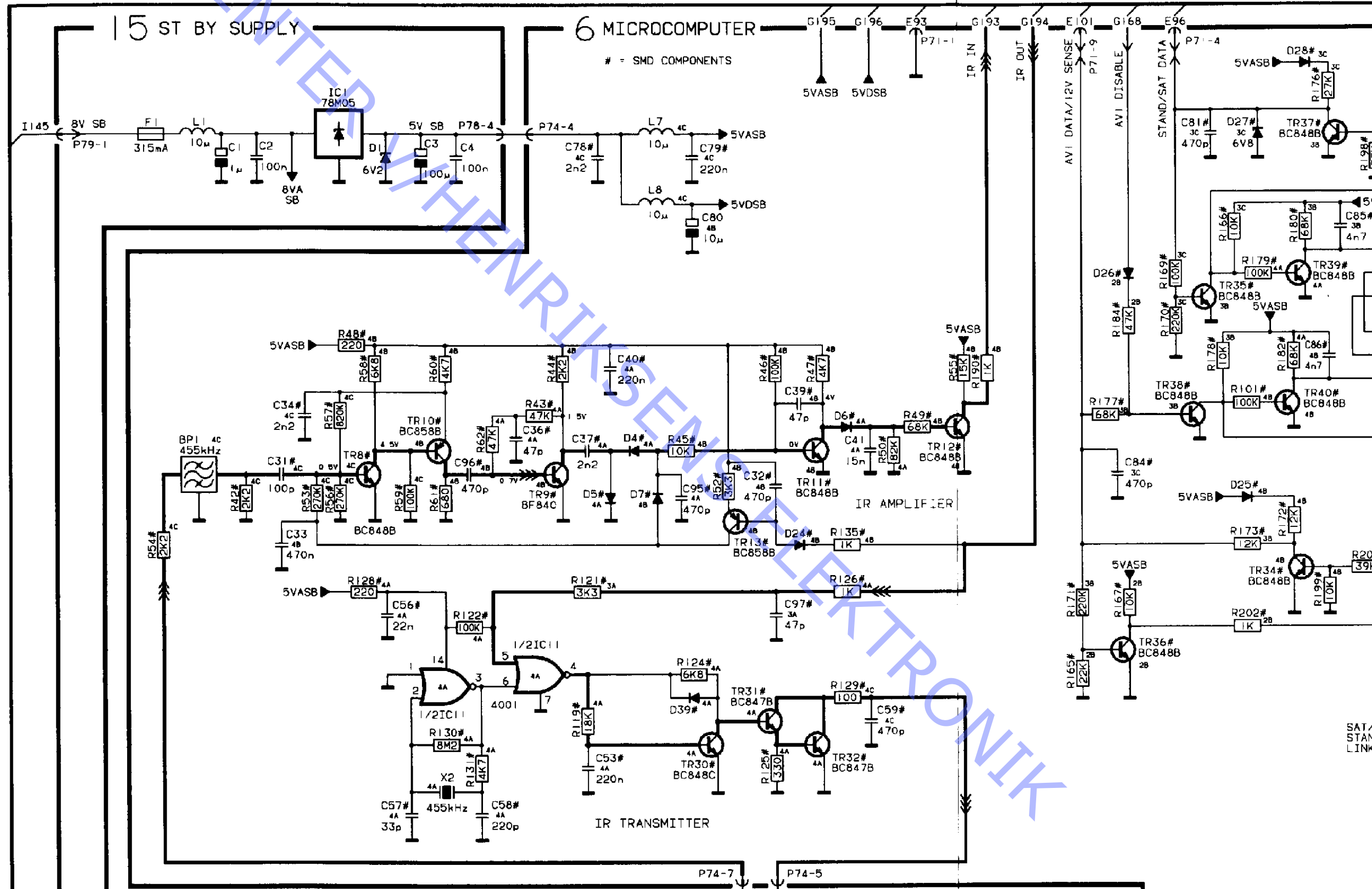


Bang & Olufsen

2-10
DIAGRAM F

2-10
DIAGRAM F

DIAGRAM F IR TRANSCIVER AND 5V ST BY SUPPLY

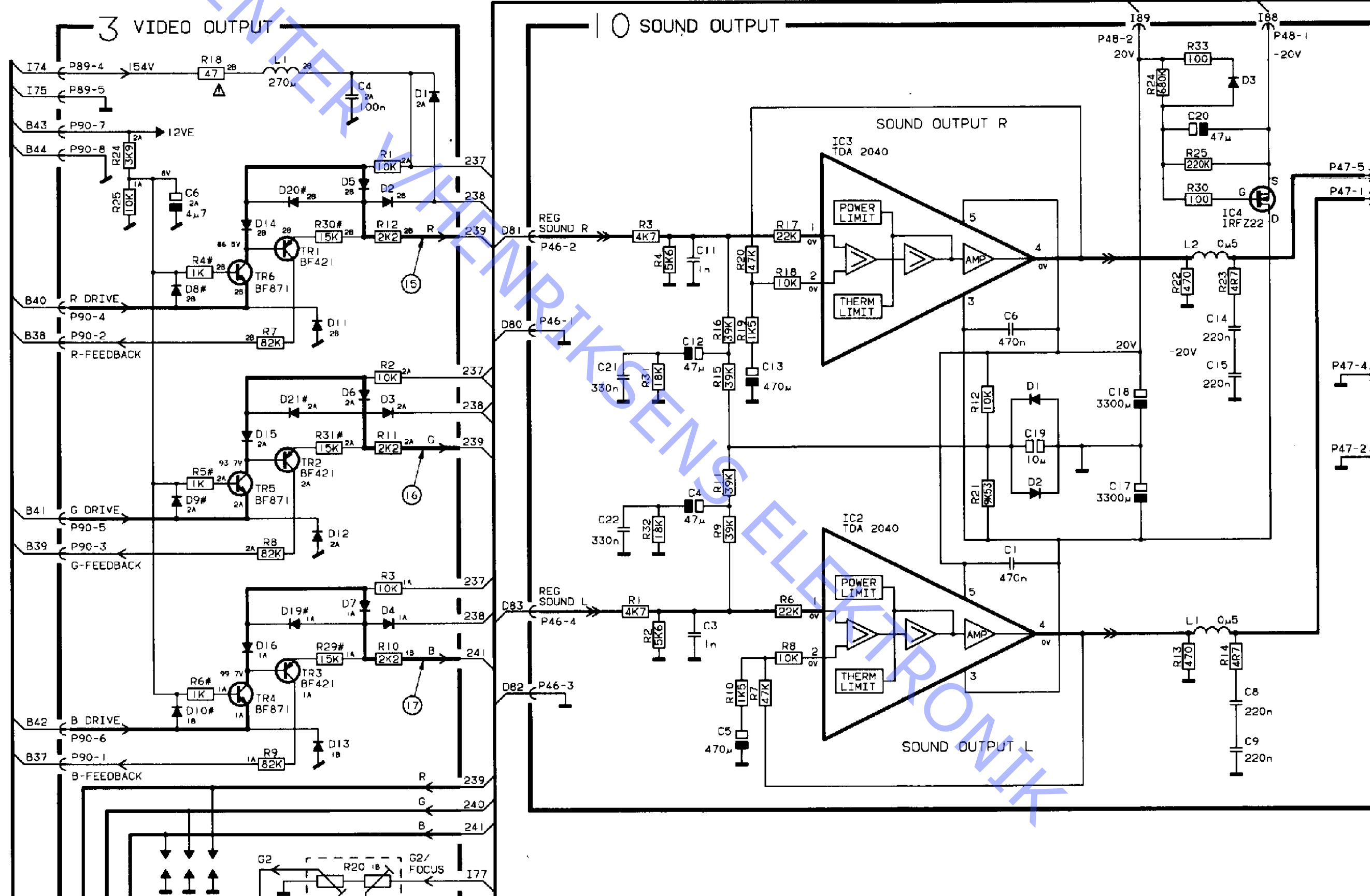


2-7

2-7 DIAGRAM C

2-7 DIAGRAM C

DIAGRAM C VIDEO OUTPUT & SOUND OUTPUT

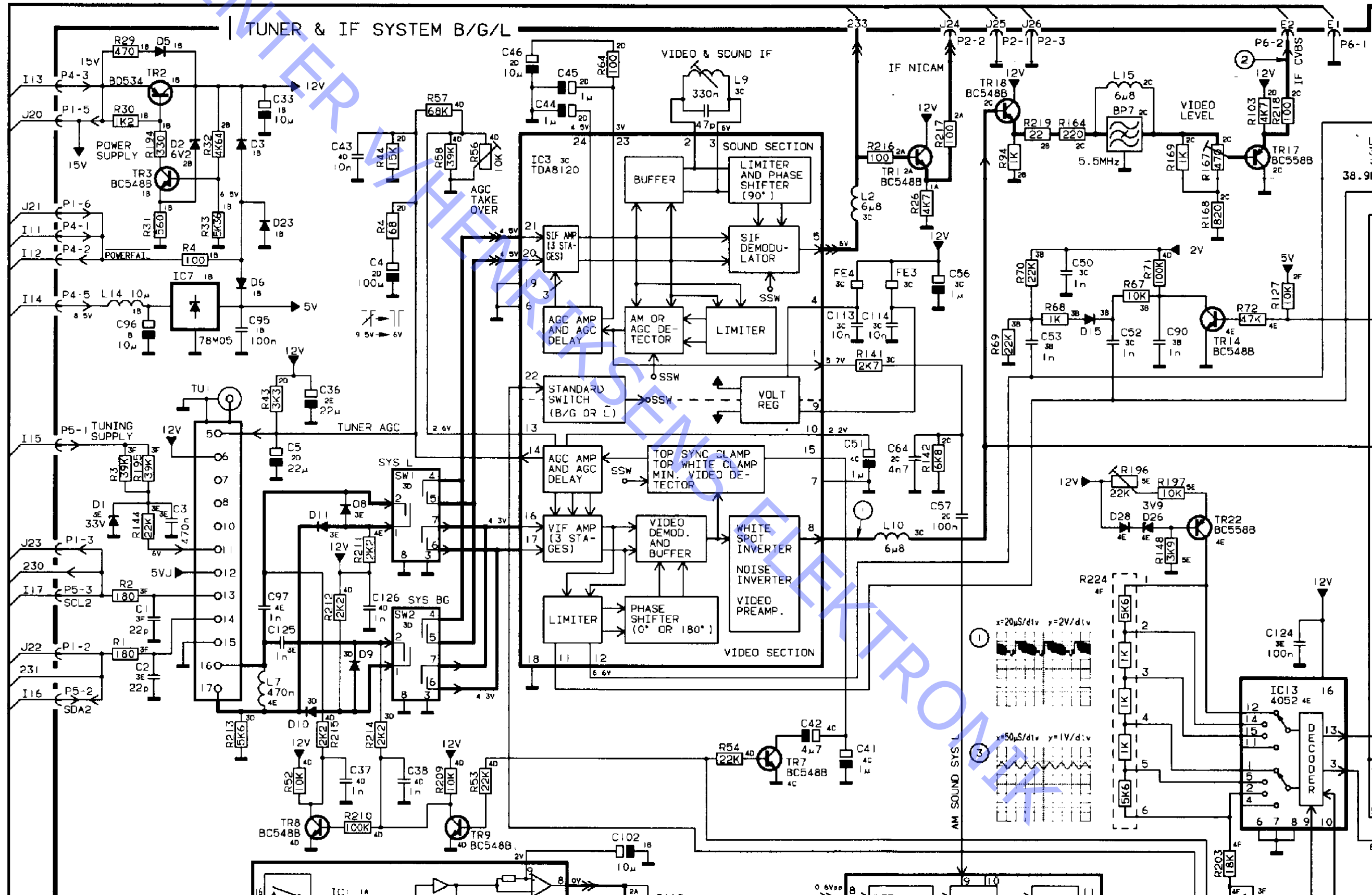


2-3

2-3
DIAGRAM A

2-3
DIAGRAM A

DIAGRAM A TUNER & IF SYSTEM B/G/L

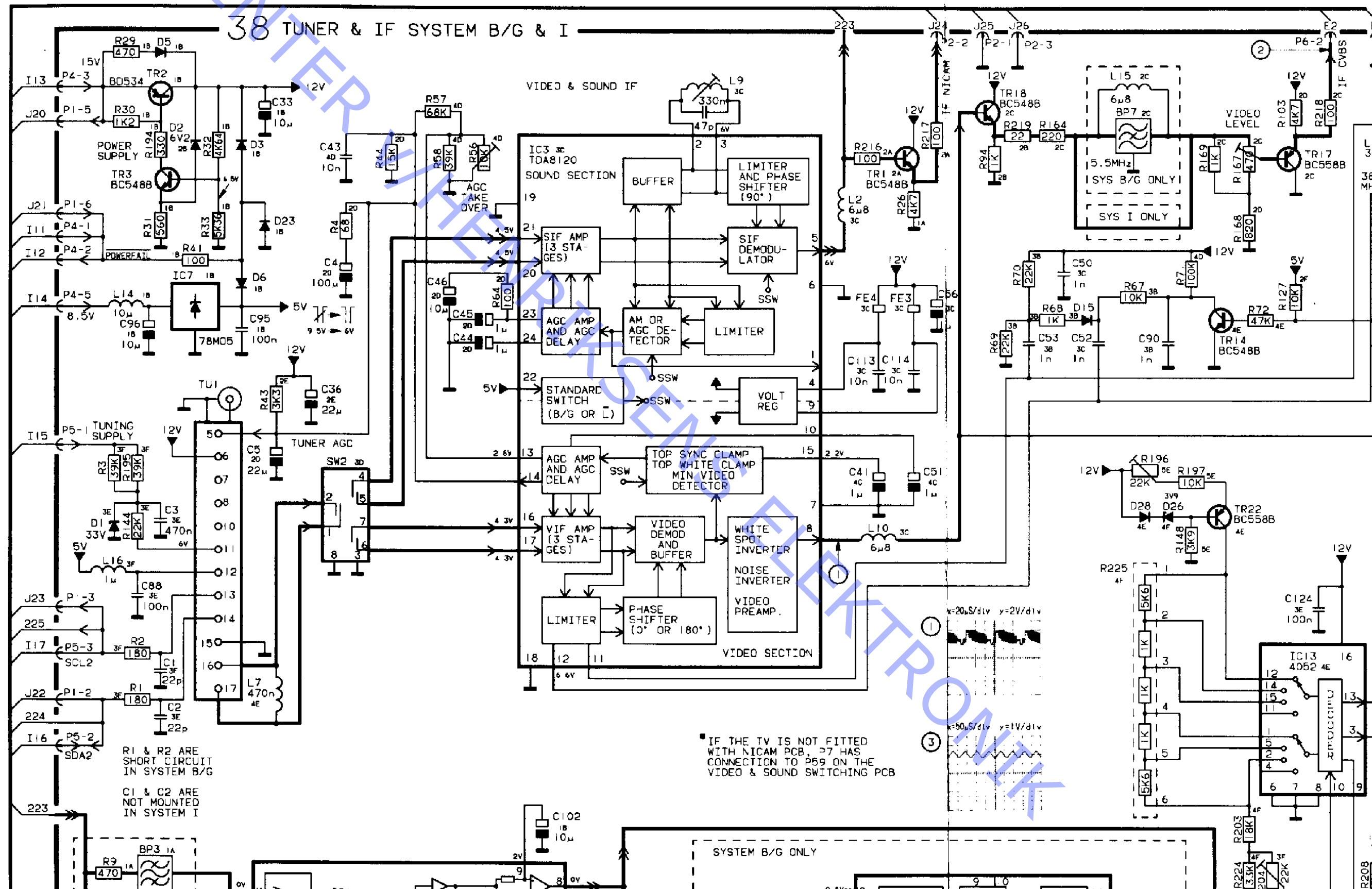


Bang & Olufsen

2-4 DIAGRAM A

2-4 DIAGRAM A

DIAGRAM A TUNER & IF SYSTEM B/G &

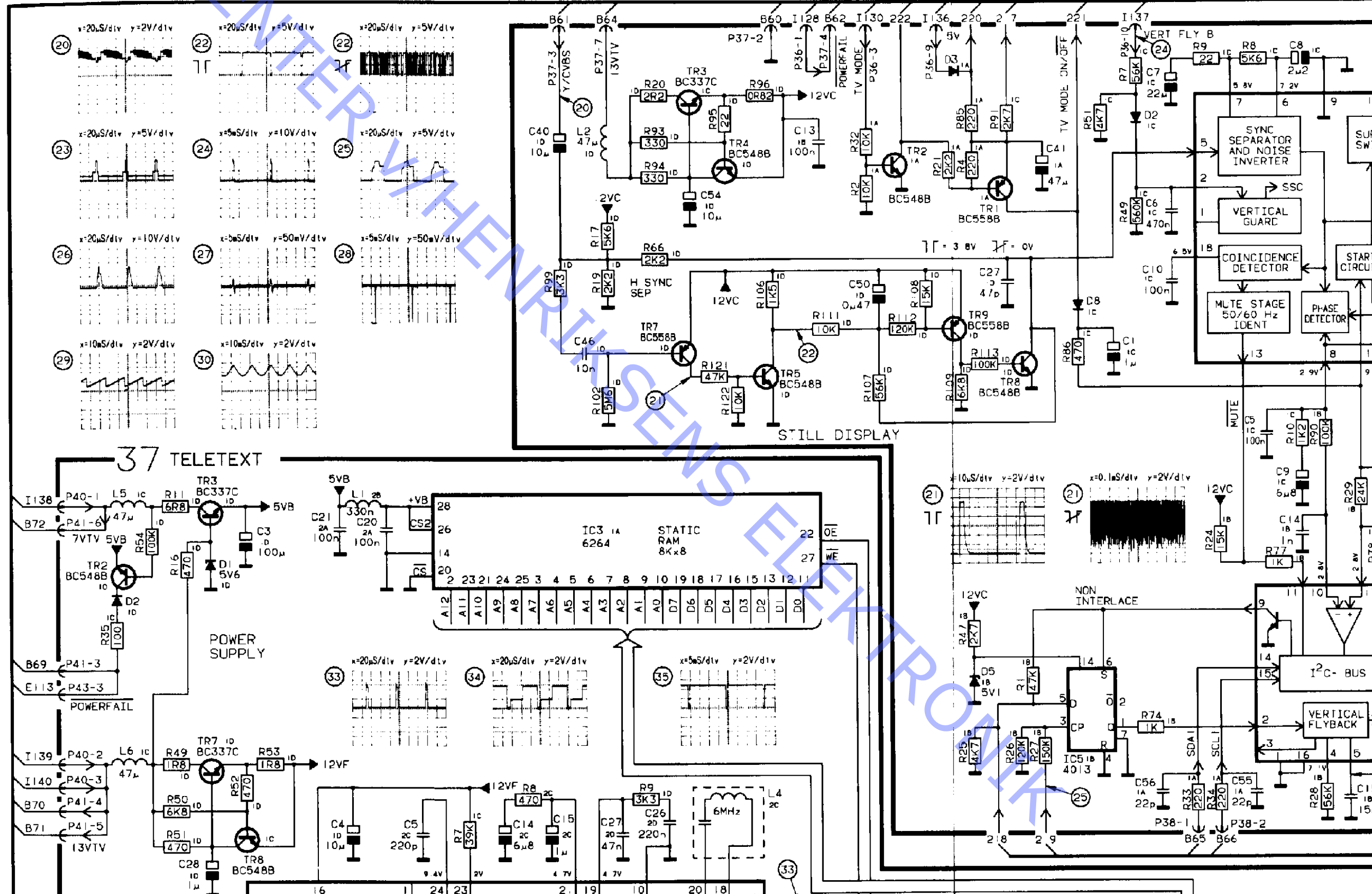


Bang & Olufsen

2-14
DIAGRAM H

2-14
DIAGRAM H

DIAGRAM H TELETEXT AND SYNC PROCESSING

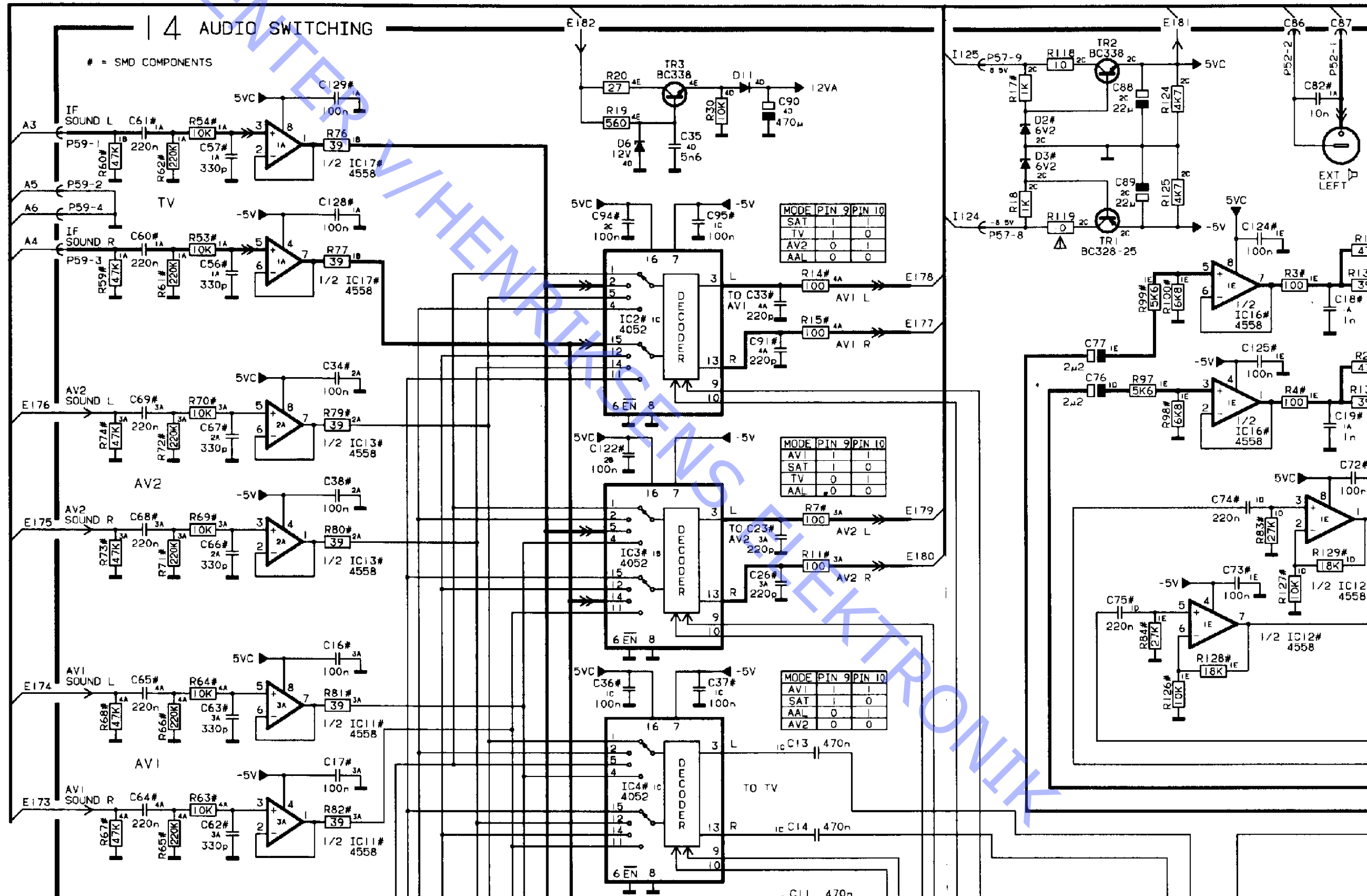


Bang & Olufsen

2-8
DIAGRAM D

2-8
DIAGRAM D

DIAGRAM D SOUND SWITCHING & CONTROL

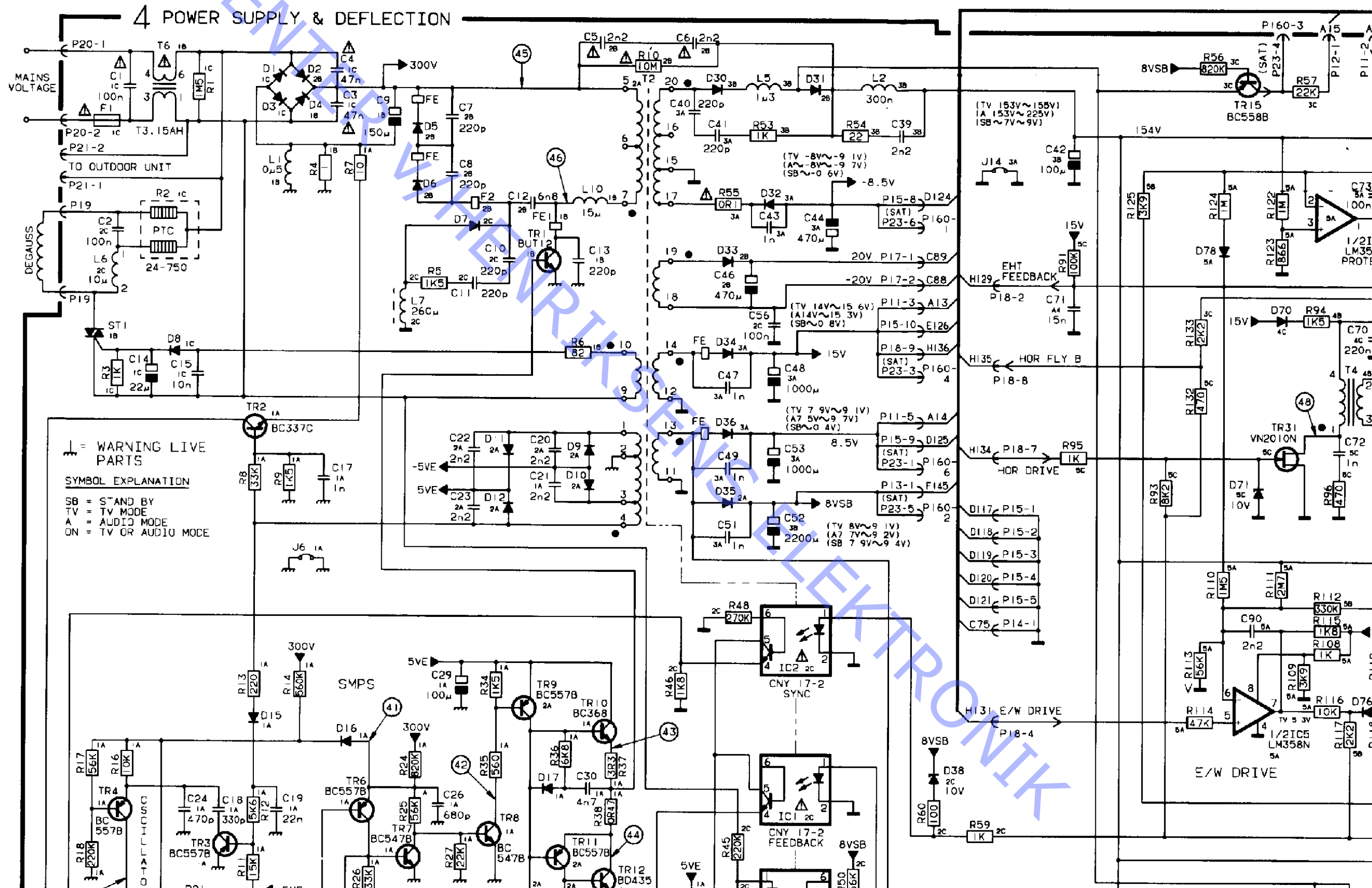


2-15

2-15 DIAGRAM I

2-15 DIAGRAM I

DIAGRAM I POWER SUPPLY & DEFLECTION (○ = FOR OSCILLOSCOPE PICTURES SEE PAGE 2-13)



Bang & Olufsen

DIAGRAM PICTURE-IN-PICTURE

2-30
ACCESSORIES

2-30
ACCESSORIES

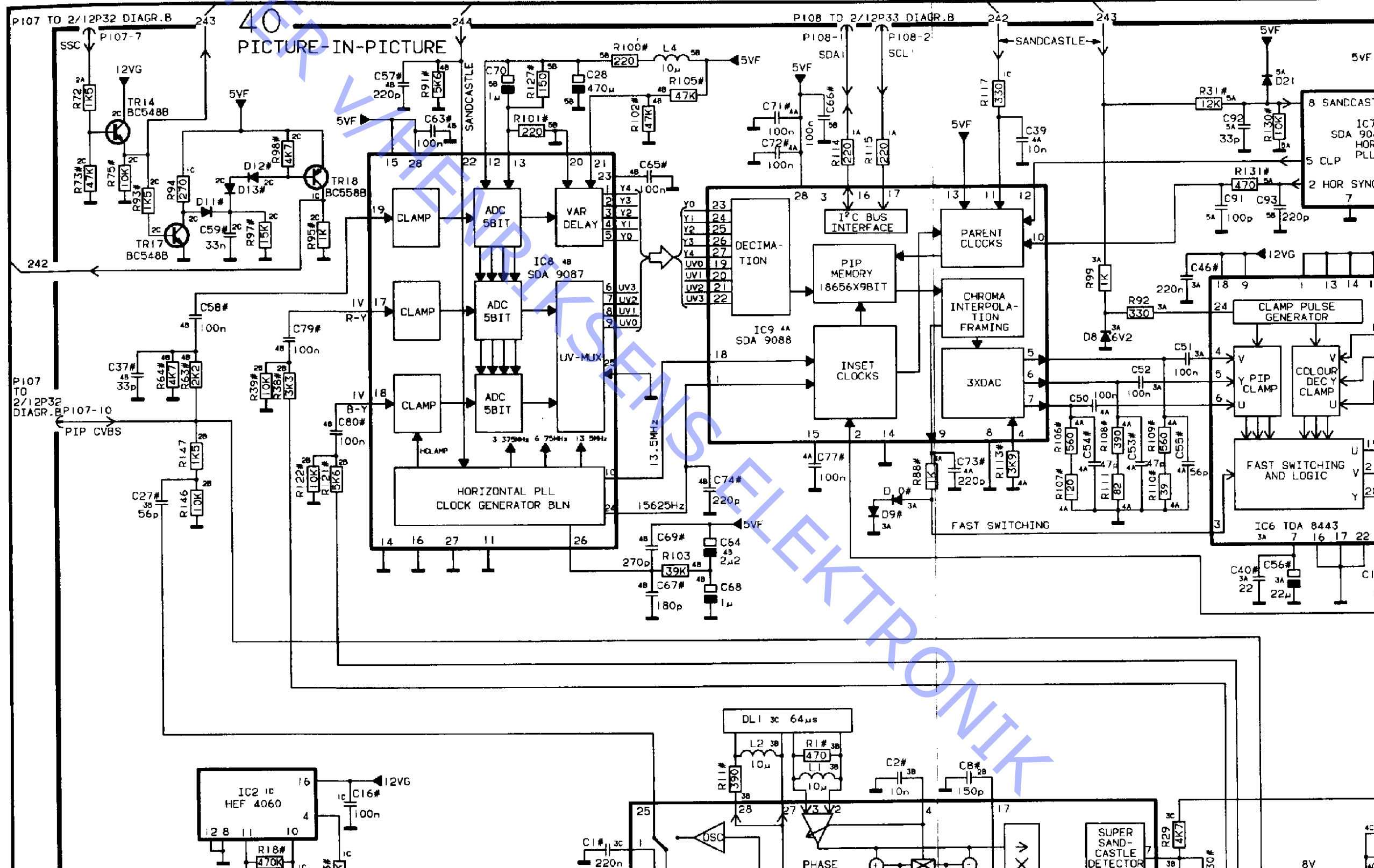
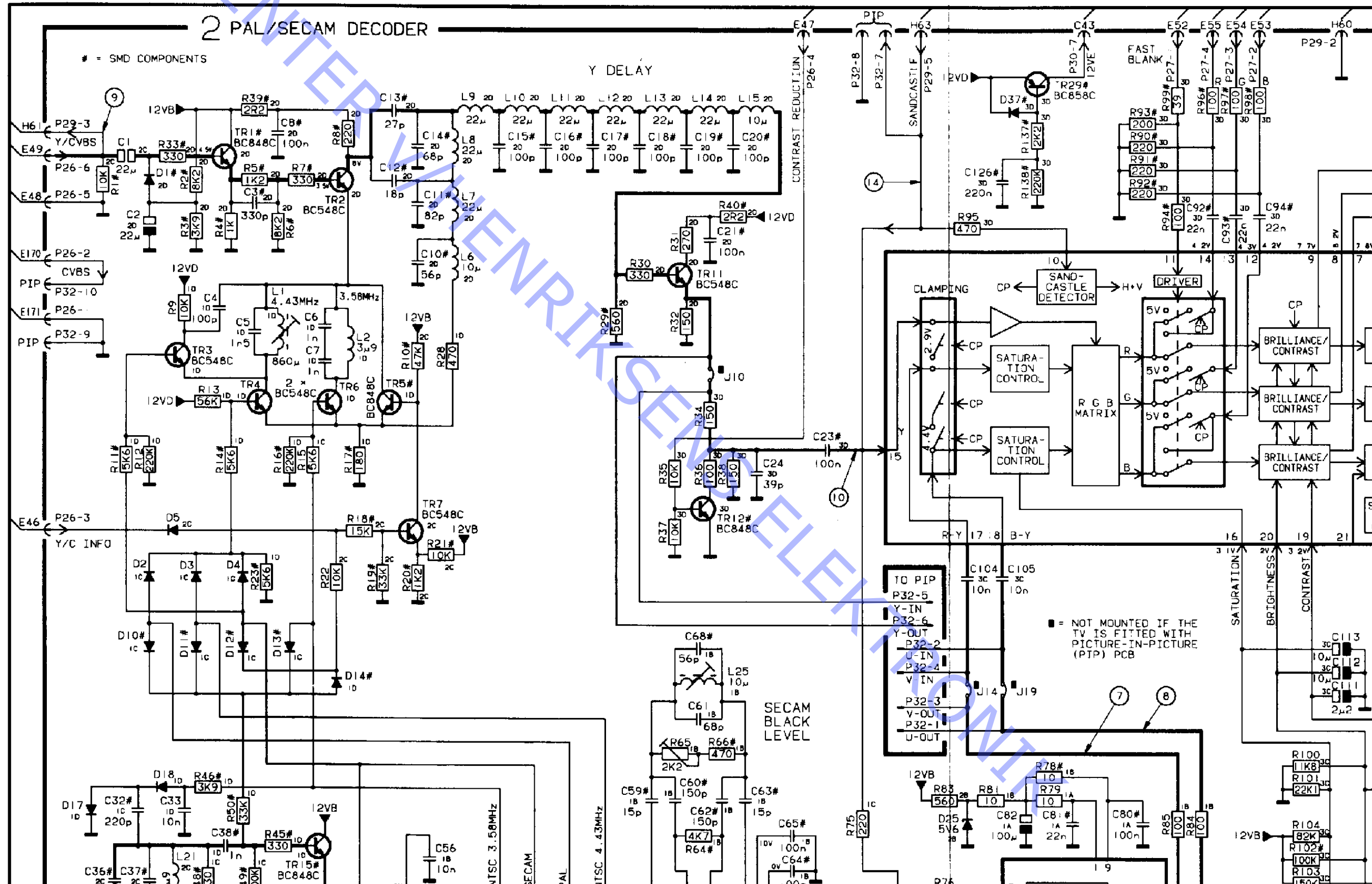


DIAGRAM B PAL/SECAM DECODER (○ = FOR OSCILLOSCOPE PICTURES SEE PAGE 2-5)

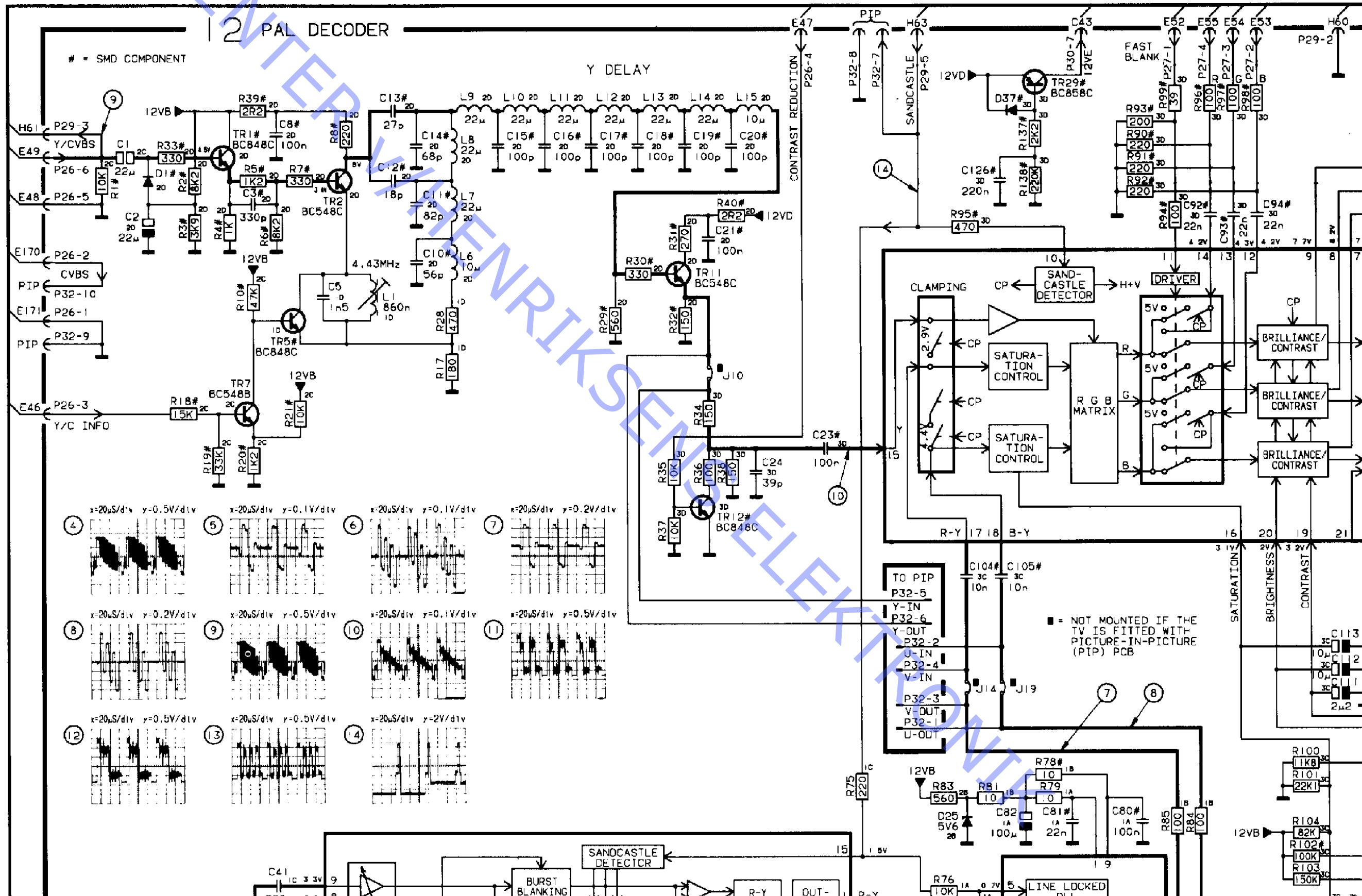


2-5

2-5 DIAGRAM B

2-5 DIAGRAM B

DIAGRAM B PAL DECODER

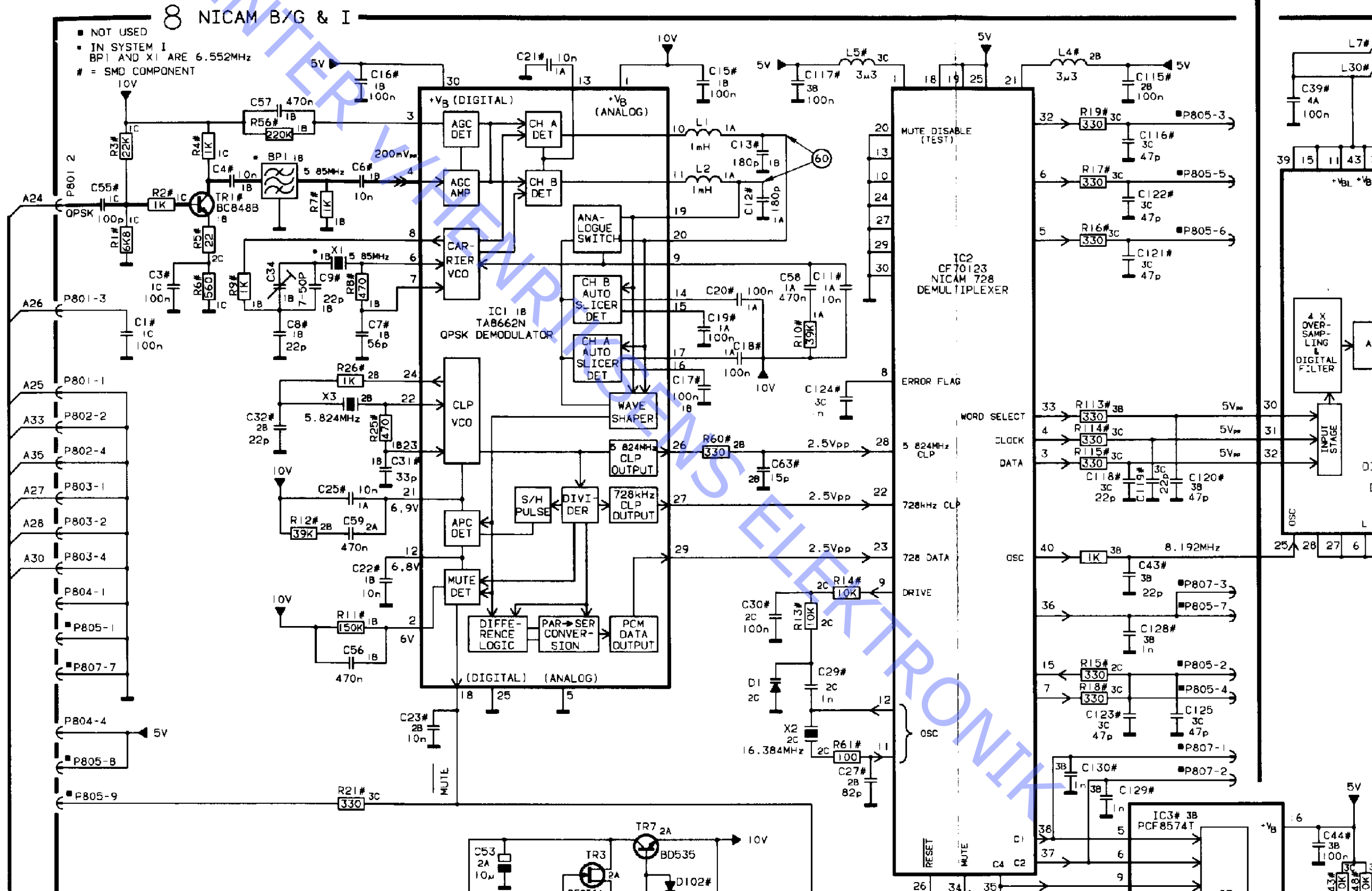


Bang & Olufsen

DIAGRAM J NICAM SYSTEM B/G & I

2-16
DIAGRAM J

2-16
DIAGRAM J



2-11

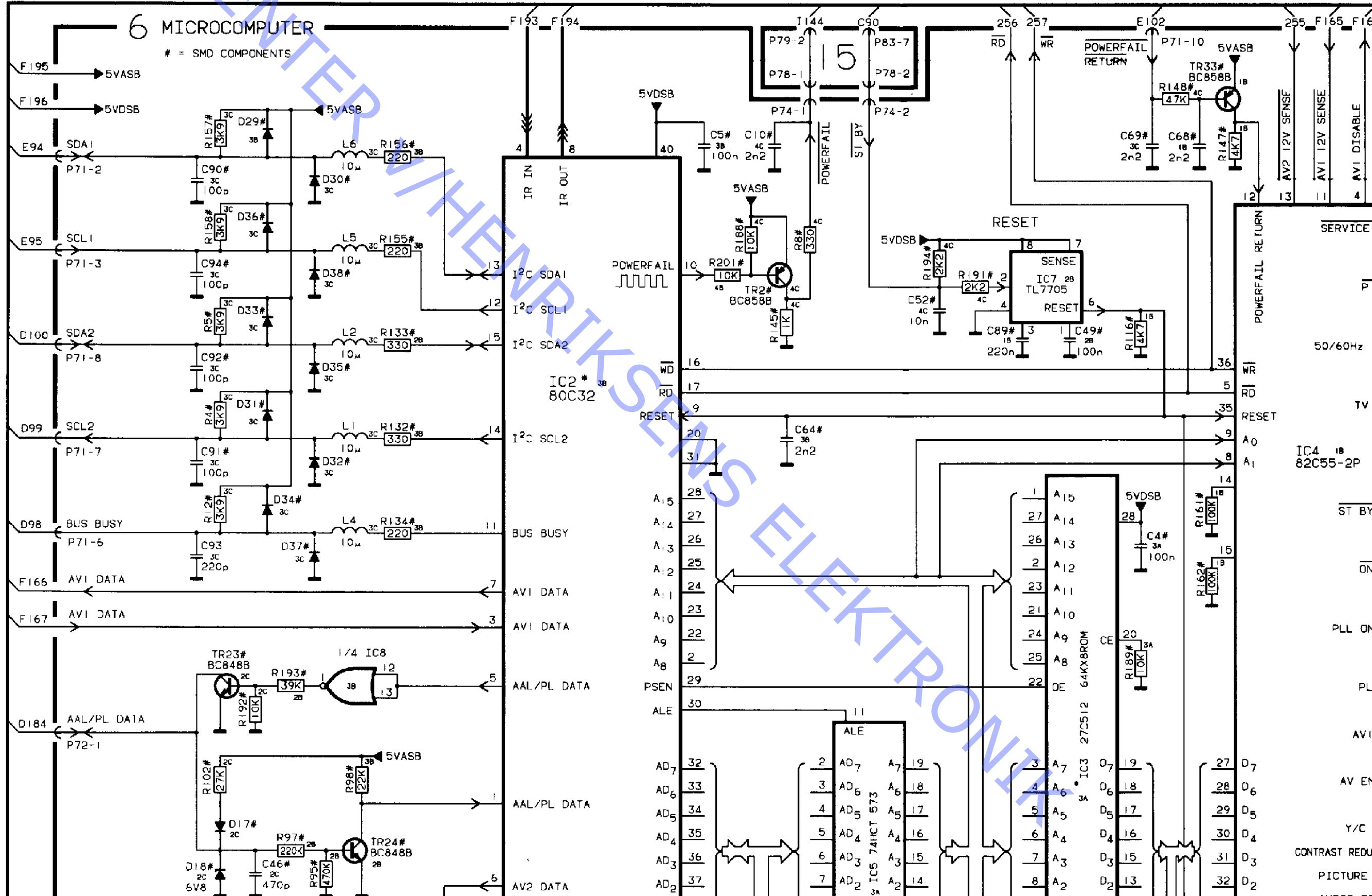
DIAGRAM G MICROCOMPUTER

2-11

DIAGRAM G

2-11

DIAGRAM G



2-9

2-9 DIAGRAM E

2-9 DIAGRAM E

DIAGRAM E VIDEO SWITCHING

